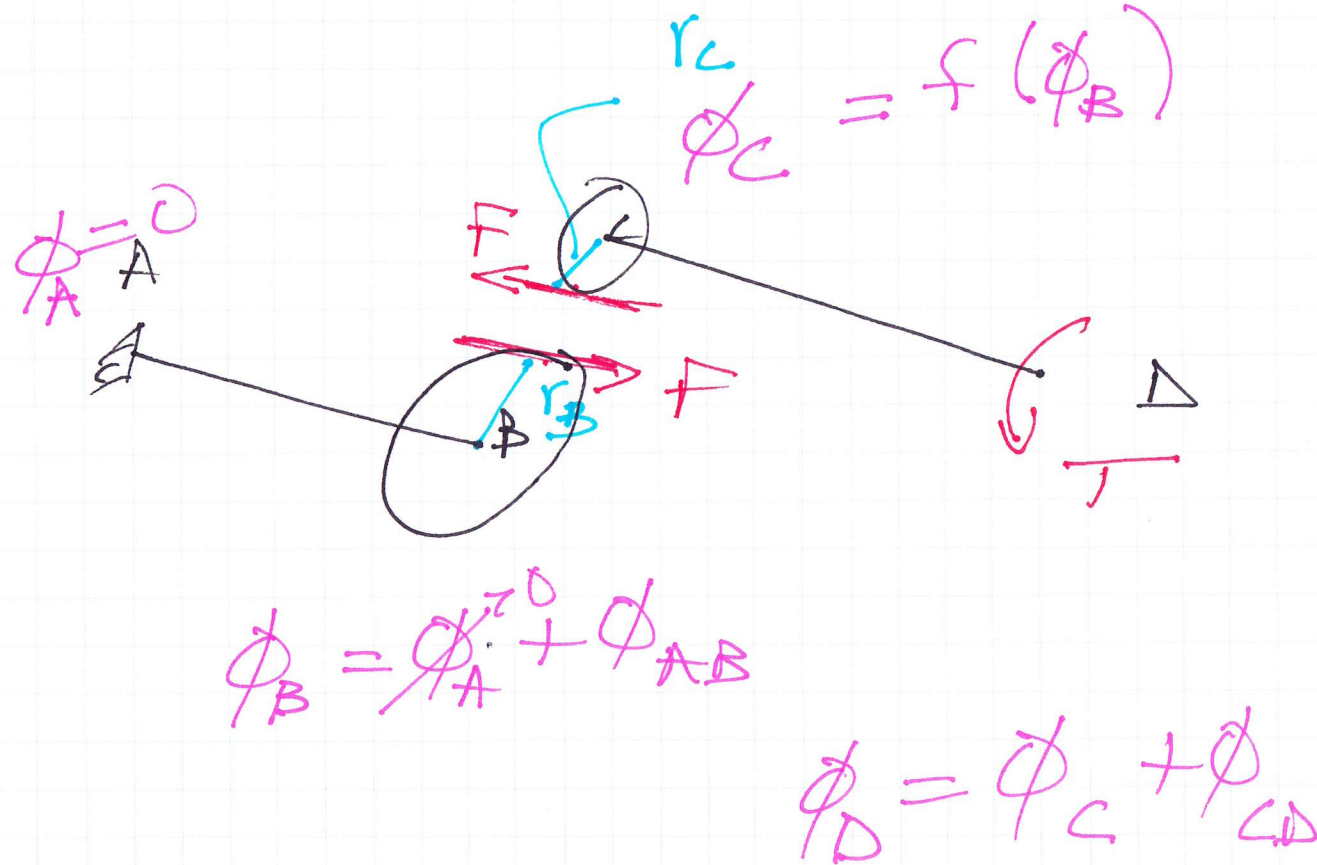
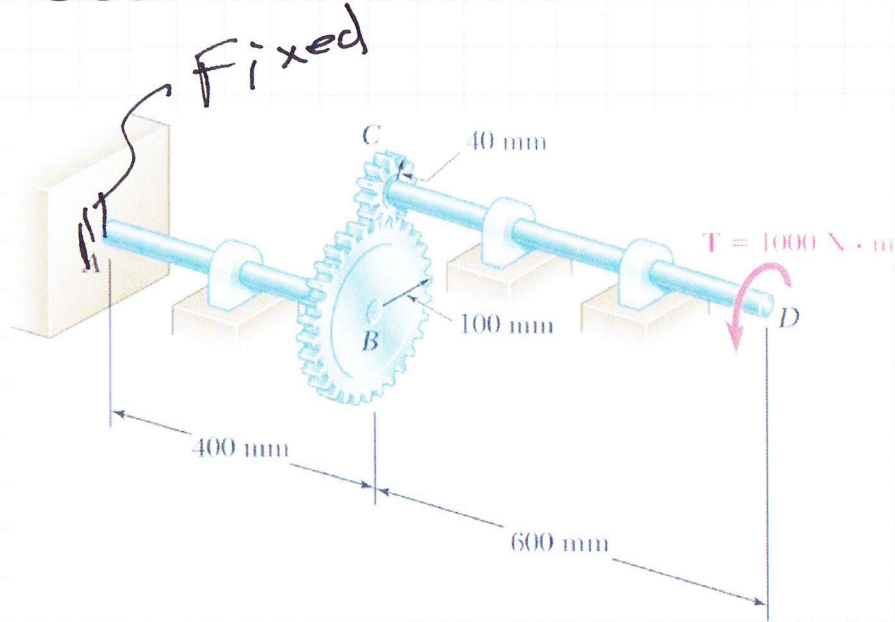
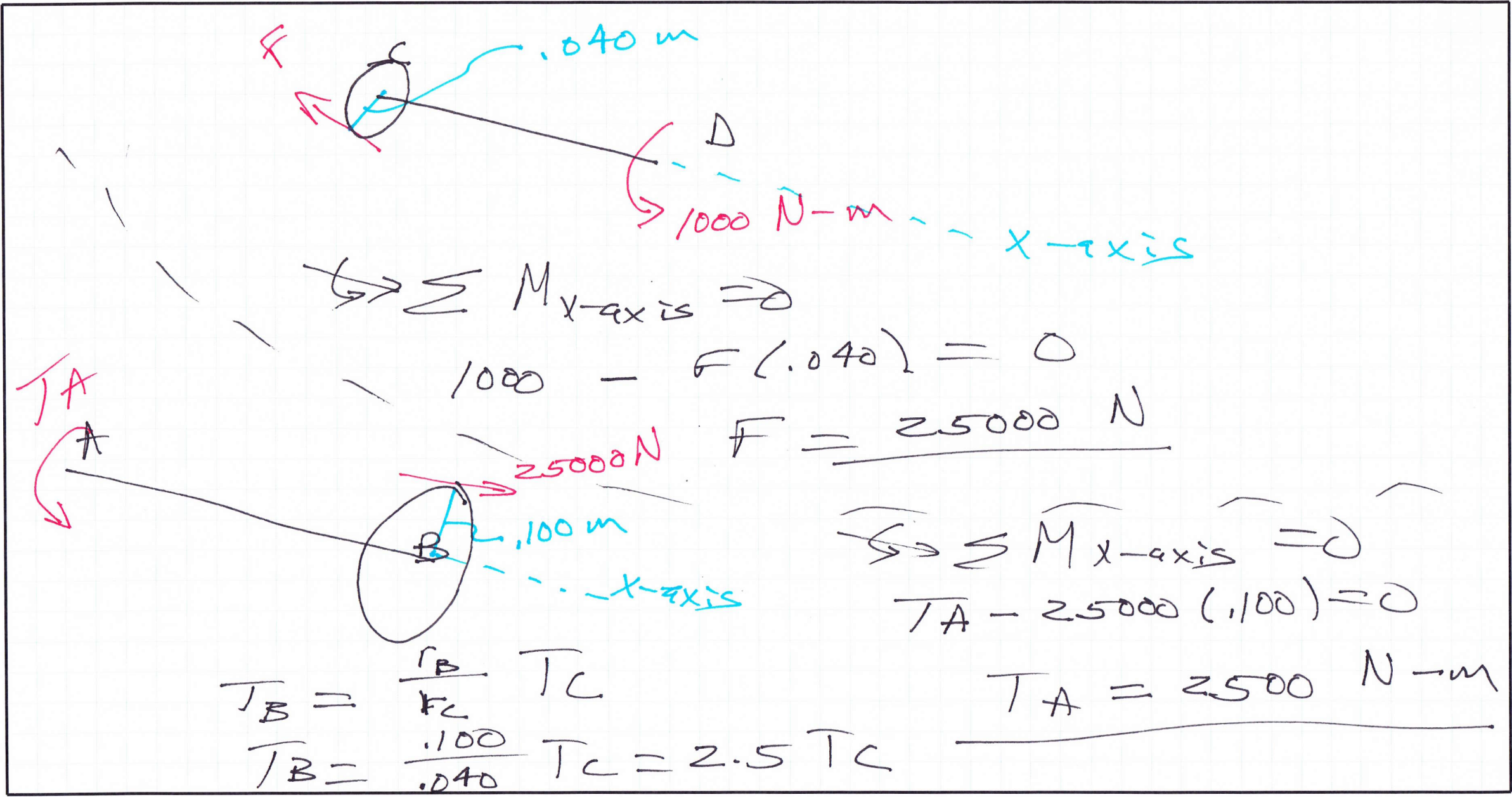
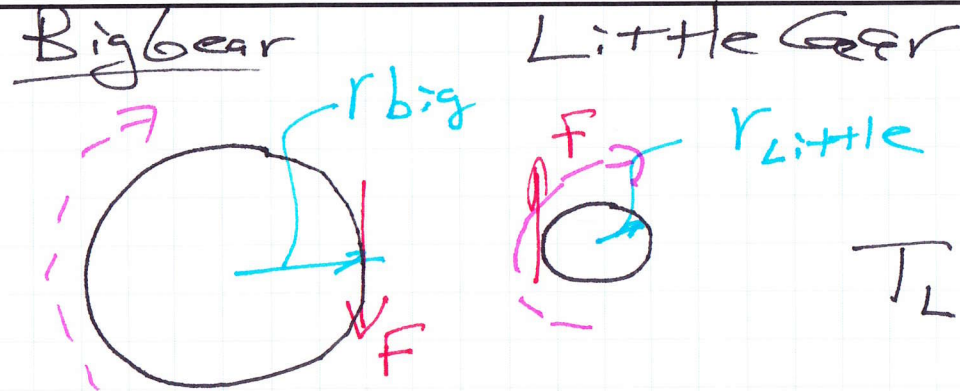


Gear Interaction





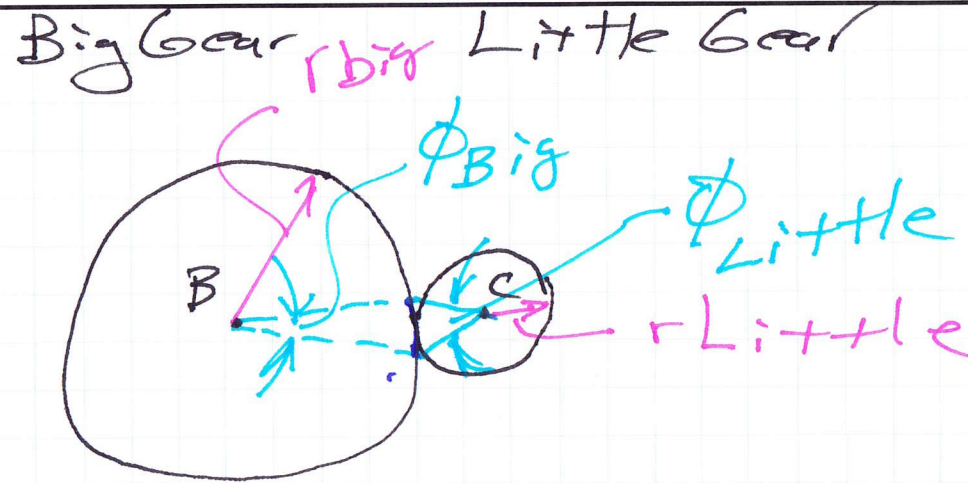


$$T_{\text{Little}} = F r_{\text{Little}}$$

$$T_{\text{Big}} = F r_{\text{Big}}$$

$$\frac{T_{\text{Big}}}{r_{\text{Big}}} = F = \frac{T_{\text{Little}}}{r_{\text{Little}}}$$

$$T_{\text{Big}} = \frac{r_{\text{Big}}}{r_{\text{Little}}} T_{\text{Little}} \quad \text{or} \quad T_{\text{Little}} = \frac{r_{\text{Little}}}{r_{\text{Big}}} T_{\text{Big}}$$



$$\phi_{Big} r_{Big} = \phi_{Little} r_{Little}$$

$$\phi_{Big} = \frac{r_{Little}}{r_{Big}} \phi_{Little} \quad \text{or}$$

$$\phi_{Little} = \frac{r_{Big}}{r_{Little}} \phi_{Big}$$